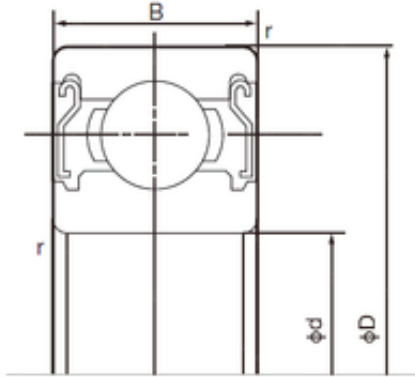




Cylindrical Roller Bearings-VIETNAM C...

100 mm x 150 mm x 24 mm NACHI 6020ZZ
deep groove ball bearings



Bearing No. 6020ZZ

6020ZZ Bearing 2D drawings and 3D CAD models

Size	100x150x24 mm
Bore Diameter	100 mm
Outer Diameter	150 mm
Width	24 mm
d	100 mm
D	150 mm
B	24 mm
C	24 mm
r min.	1.5 mm
da min.	107 mm
Da max.	143 mm
ra max.	1.5 mm
Weight	1.26 Kg
Basic dynamic load rating (C)	60 kN
Basic static load rating (C0)	54 kN
Category	Single Row Ball Bearings
Inventory	0.0
Manufacturer Name	NACHI
Minimum Buy Quantity	N/A
Weight / Kilogram	0
EAN	4991893658866
Product Group	B00308
Enclosure	2 Metal Shields
Precision Class	ABEC 1 ISO P0
Maximum Capacity / Filling	No



Cylindrical Roller Bearings-VIETNAM C...

Slot	
Rolling Element	Ball Bearing
Snap Ring	No
Internal Special Features	No
Cage Material	Steel
Internal Clearance	C0-Medium
Inch - Metric	Metric
Long Description	100MM Bore; 150MM Outside Diameter; 24MM Outer Race Width; 2 Metal Shields; Ball Bearing; ABEC 1 ISO P0; No Filling Slot; No Snap Ring; No Internal Special Features; C0-Medium Internal Clearance; St
Other Features	Deep Groove
Category	Single Row Ball Bearing
UNSPSC	31171504
Harmonized Tariff Code	8482.10.50.68
Noun	Bearing
Keyword String	Ball
Manufacturer URL	http://www.nachiamerica.com
Outer Race Width	0.945 Inch 24 Millimeter
Bore	3.937 Inch 100 Millimeter
Inner Race Width	0 Inch 0 Millimeter
Outside Diameter	5.906 Inch 150 Millimeter
Bore Type	Cylindrical Bore
Configuration	Single Row
Bore Size	100 mm
Width	24 mm
Fillet Radius/Chamfer	1.5 mm
Dynamic Load Rating	60,000 N
Static Load Rating	54,000 N



Cylindrical Roller Bearings-VIETNAM C...

Limiting Speed - Grease	4,300 rpm
Factor f_0	15.9
Radial Clearance	0.012 to 0.036 mm
d_a (min)	107 mm
D_a (max)	143 mm
r_a (max)	1.5 mm