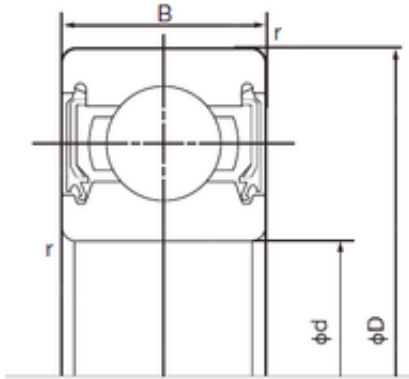




Cylindrical Roller Bearings-VIETNAM C...

10 mm x 22 mm x 6 mm NACHI 6900-2NSE
deep groove ball bearings



Bearing No. 6900-2NSE

6900-2NSE Bearing 2D drawings and 3D CAD models

Size	10x22x6 mm
Bore Diameter	10 mm
Outer Diameter	22 mm
Width	6 mm
d	10 mm
D	22 mm
B	6 mm
C	6 mm
r min.	0.3 mm
da min.	12 mm
Da max.	20 mm
ra max.	0.3 mm
Weight	0.009 Kg
Basic dynamic load rating (C)	2,49 kN
Basic static load rating (C0)	1,13 kN
Category	Single Row Ball Bearings
Inventory	0.0
Manufacturer Name	NACHI
Minimum Buy Quantity	N/A
Weight / Kilogram	0.009
Product Group	B00308
Enclosure	2 Seals
Precision Class	ABEC 1 ISO P0
Maximum Capacity / Filling Slot	No



Cylindrical Roller Bearings-VIETNAM C...

Rolling Element	Ball Bearing
Snap Ring	No
Internal Special Features	No
Enclosure Type	Contact Seal
Internal Clearance	C0-Medium
Inch - Metric	Metric
Long Description	10MM Bore; 22MM Outside Diameter; 6MM Outer Race Diameter; 2 Seals; Ball Bearing; ABEC 1 ISO P0; No Filling Slot; No Snap Ring; No Internal Special Features
Category	Single Row Ball Bearing
UNSPSC	31171504
Harmonized Tariff Code	8482.10.50.68
Noun	Bearing
Keyword String	Ball
Manufacturer URL	http://www.nachi.com
Manufacturer Item Number	6900 2NSE CM BS6M
Weight / LBS	0.02
Outside Diameter	0.866 Inch 22 Millimeter
Outer Race Width	0.236 Inch 6 Millimeter
Bore	0.394 Inch 10 Millimeter