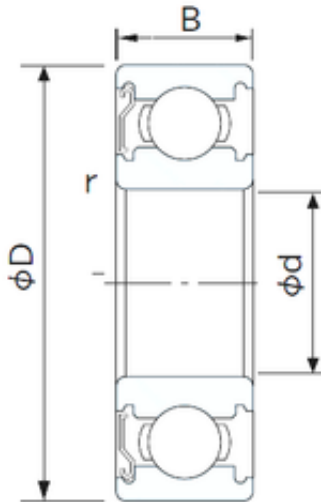




Cylindrical Roller Bearings-VIETNAM C...



130 mm x 230 mm x 40 mm CYSD 6226-Z deep groove ball bearings

Bearing No. 6226-Z

Size	130x230x40 mm
Bore Diameter	130 mm
Outer Diameter	230 mm
Width	40 mm
d	130 mm
D	230 mm
B	40 mm
C	40 mm
r min.	3 mm
Weight	5,96 Kg
Basic dynamic load rating (C)	167 kN
Basic static load rating (C0)	146 kN
(Grease) Lubrication Speed	2400 r/min

6226-Z Bearing 2D drawings and 3D CAD models