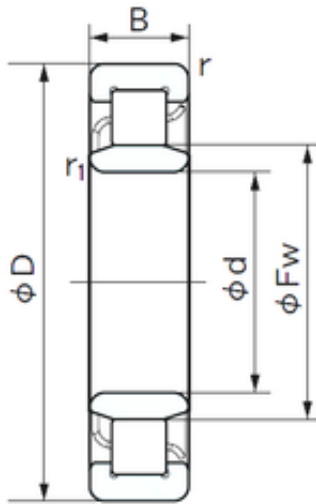




## Cylindrical Roller Bearings-VIETNAM C...



130 mm x 230 mm x 40 mm NACHI NU 226 E cylindrical roller bearings

Bearing No. NU 226 E

Size	130x230x40 mm
Bore Diameter	130 mm
Outer Diameter	230 mm
Width	40 mm
d	130 mm
Fw	153.5 mm
D	230 mm
B	40 mm
r min.	3 mm
r1 min.	3 mm
Weight	7.50 Kg
Basic dynamic load rating (C)	365 kN
Basic static load rating (C0)	455 kN
(Grease) Lubrication Speed	2200 r/min

NU 226 E Bearing 2D drawings and 3D CAD models